

RINATO SPA™ SERVICE MANUAL



EUROPEAN TOUCH®
The World's Finest Pedicure Spas



EUROPEAN TOUCH™

TABLE OF CONTENTS

IMPORTANT SAFETY INSTRUCTIONS	3
DANGER	3
WARNINGS	3
IMPORTANT REQUIREMENTS	4
SPECIFICATIONS SUMMARY	4
LOCATION AND SUPPORT	4
LOCATION DIMENSIONS	5
ATTACHING THE SEAT BACK AND SEAT BOTTOM CUSHION	6
<i>SEAT BACK ATTACHMENT</i>	6
<i>SEAT MOVEMENT ATTACHMENT</i>	6
<i>SEAT BOTTOM ATTACHMENT</i>	6
<i>REMOVING THE SHELLS</i>	7
INSTALLING THE FLOOR MOUNTING BRACKETS	7
REMOVING AND REPLACING DRAIN KNOB	7
REMOVING AND REPLACING IMPELLER	8
WIRED SOUND OPTION	8
REPLACEMENT PARTS	9
<i>BASIN ASSEMBLY</i>	9
<i>FULL ASSEMBLY</i>	10
<i>POWER DRAIN PUMP ASSEMBLY</i>	12
<i>INLET COVER & RELATED PARTS</i>	12
<i>SEAT MOVEMENT</i>	13
<i>MOTOR SUBASSEMBLY</i>	13
GENERAL TROUBLE SHOOTING GUIDE	14
HISTORY & NOTES	15



EUROPEAN TOUCH™

IMPORTANT SAFETY INSTRUCTIONS

When using an electrical appliance, basic precautions should always be followed, including the following:

Read all instructions before using this appliance.

WARNING – To reduce the risk of burns, fire, electric shock, or injury to persons:

- 1) Use this appliance only for its intended use as described in this manual. Do not use attachments not recommended by the manufacturer.
- 2) Never operate this appliance if it has a damaged cord or plug, if it is not working properly, if it has been dropped or damaged, or dropped into water.
- 3) Never drop or insert any object into any opening.
- 4) Do not use outdoors.
- 5) Do not operate where aerosol (spray) products are being used or where oxygen is being administered.

Save These Instructions

DANGER

- 1) Never use pins or other metallic fasteners with this appliance.
- 2) Carefully examine the covering before each use.
- 3) Discard the appliance if the covering shows any sign of deterioration, such as checking, blistering, or cracking.
- 4) Keep electrical components dry – Do not operate in a wet or moist Environment.

WARNINGS

- 1) Excessive water temperature is dangerous and should be checked before use. Maximum operating water temperature should not exceed 105° F (41° C) and the maximum supply water temperature should not exceed 150° F (65° C).
- 2) The spa has a heated surface in the seat bottom. Persons sensitive to heat must be careful when using the spa.
- 3) Always enter and exit the pedicure spa slowly and carefully.
- 4) Never bring or operate any electrical devices into or near the pedicure spa.
- 5) This pedicure spa has a weight capacity of 350 pounds.
- 6) Do Not Crush – Avoid sharp folds.
- 7) Do not stand on or in appliance.
- 8) Use only while seated.
- 9) Keep children away from extended foot support.
- 10) Connect this appliance to a properly grounded outlet only. See Grounding Instructions within the install manual.

Note: Always verify maximum temperatures with your local & state codes.

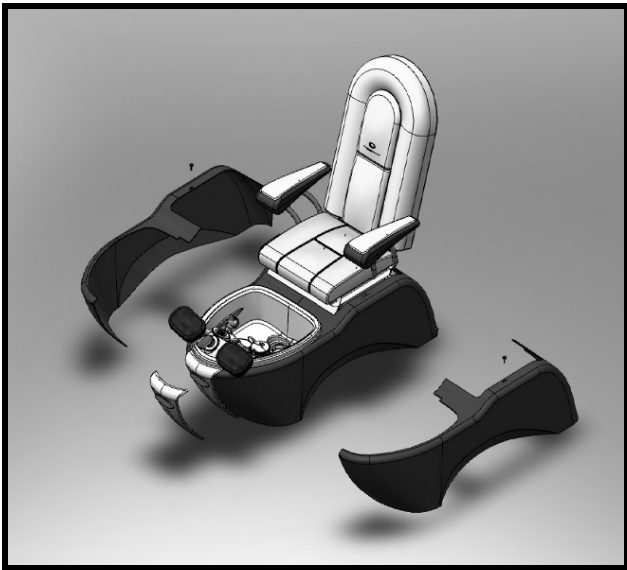
IMPORTANT REQUIREMENTS

EUROPEAN TOUCH requires that you contact your local, licensed plumber and licensed electrician to install your new pedicure spa. Installation must be in compliance with all your local and state building codes. Your pedicure spa cannot operate efficiently or safely unless it is provided with adequate electrical power, sufficient water pressure, proper water temperature, and required drainage capabilities. Contact your local building inspector for information and local code compliance procedures that need to be followed when having your pedicure spa installed. Subsequent inspections and approvals that may be required are the responsibility of the purchaser. **(See limited warranty regarding incidental or consequential exclusions – page 2).**

SPECIFICATIONS SUMMARY

Note: Failure to comply with federal, state or local codes and ordinances will result in warranty being null and void.

WARNING: Shells & front plate **MUST** be removed prior to moving the Rinato Spa.



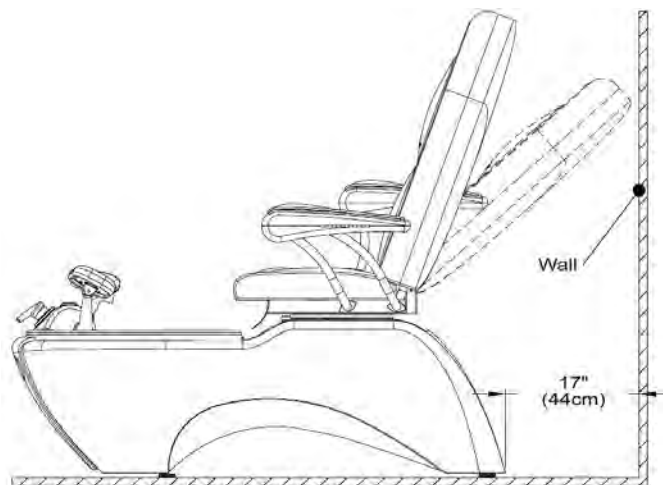
Spa shipping configuration removal



Spa appearance prior to moving into place

LOCATION AND SUPPORT

Select a level location. The floor structure beneath the pedicure spa must be capable of supporting the occupied pedicure spa. For the seat back to fully recline, the pedicure spa base must be mounted 17 inches from the wall as shown below:





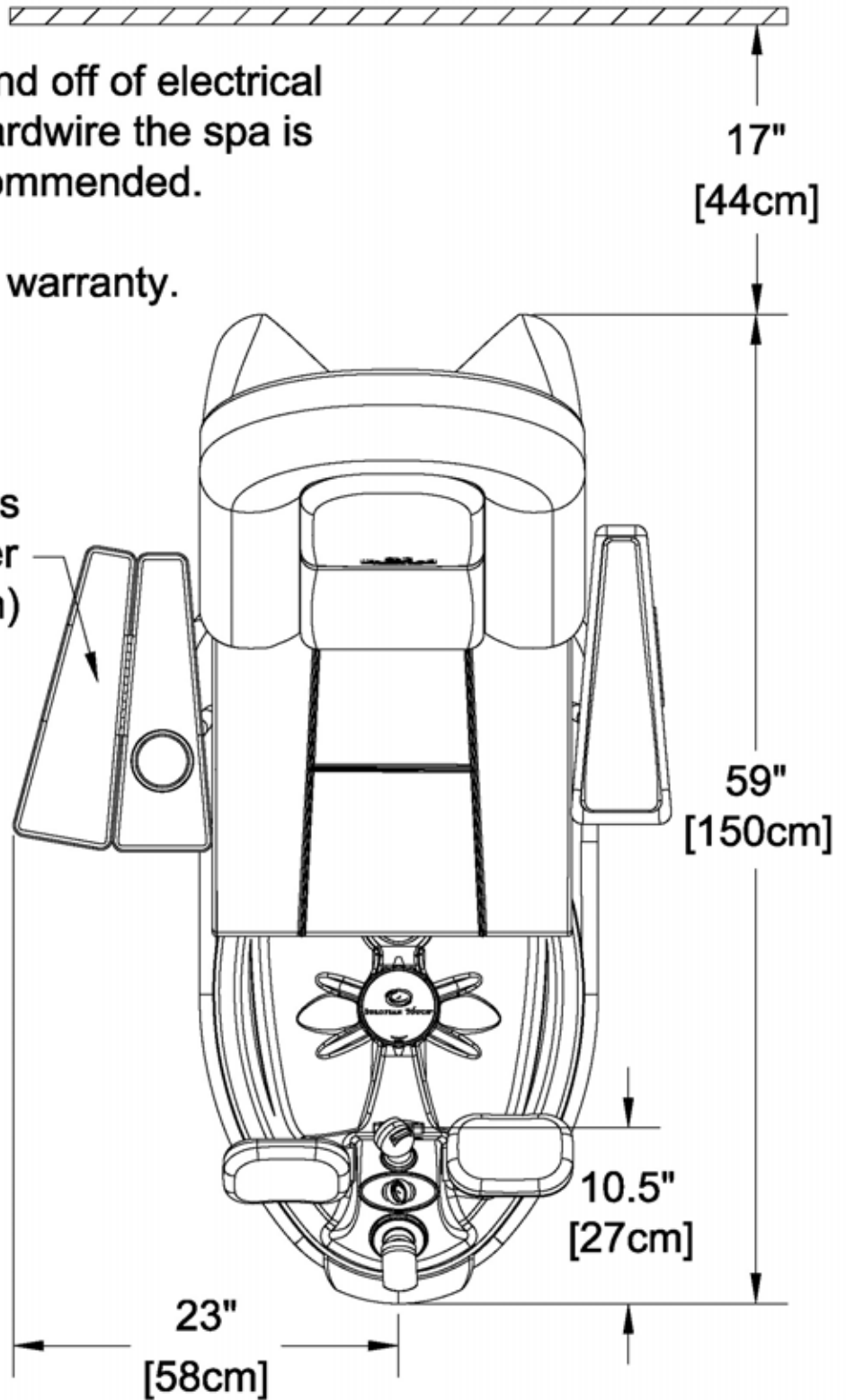
EUROPEAN TOUCH™

LOCATION DIMENSIONS

NOTE: Cutting end off of electrical plug to hardwire the spa is **NOT** recommended.

Doing so will void warranty.

Flip-open armrests with cupholder (open position)

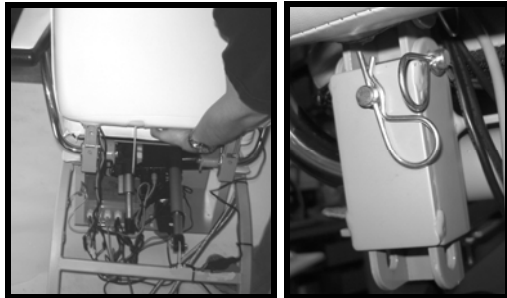


ATTACHING THE SEAT BACK AND SEAT BOTTOM CUSHION

Please make sure that all parts are removed from the box before discarding the box. If any parts are missing, you must contact EUROPEAN TOUCH within 30 days of the delivery date for replacement at 800-626-6912.

Your pedicure spa shipped with the seat back already attached to the spa and with the seat bottom cushion in the spa shipping box. Follow these instructions to connect the seat back and the seat bottom to the pedicure spa:

Note: 2 people are required to perform the following instructions.



Step 1

Steps 2 & 3

SEAT BACK ATTACHMENT

1. Lift seat back vertically and lower hinge brackets into position.
2. Align seat back bracket hole for pin insertion.
3. Insert clevis pin from front and push through aligned holes. Push hitch pin into the clevis pin as shown.

Note: Repeat steps two and three for other side.

SEAT MOVEMENT ATTACHMENT

1. Remove the linear drive hitch and clevis pins located on the seat back mounting bracket on the back of the chair.
2. Slide the seat bracket, insert attached, into the black end on the linear actuator and line up the holes. Slide the clevis pin through the holes and secure by inserting the hitch pin through the small hole on the clevis pin.



Step 1 & 2



Clevis Pin



Hitch Pin

SEAT BOTTOM ATTACHMENT

1. The seat bottom cushion will be located in the spa on top of the spa basin. Remove the seat bottom cushion from the spa basin.
2. With the chair fully reclined, attach the seat bottom cushion to the spa, aligning the seat bottom cushion with the provided Velcro strips. Ensure that the rear of the seat bottom cushion is tight against the seat back.
3. Move seat forward and attach bottom cushion heater connectors as shown.



Step 2

Step 3

REMOVING THE SHELLS

To install the shells on your spa follow the instructions below:



Step 1

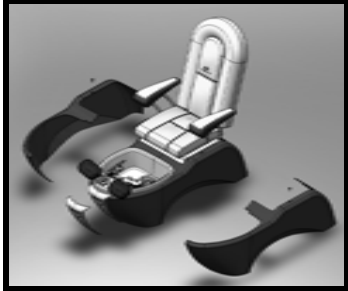


Step 2

1. Remove the front plate from the front of the spa.
2. Remove each thumb screw (total 2)
3. Slightly lift side panels (total 2) off of the spa to remove.



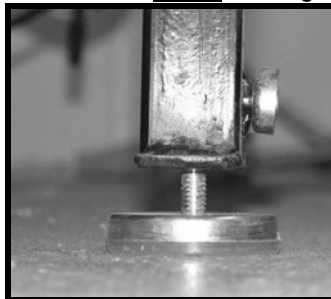
Step 3



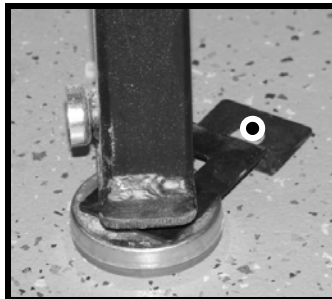
INSTALLING THE FLOOR MOUNTING BRACKETS

All Rinato Spas installed with gravity drain and / or hard piped to hot and cold supply lines **MUST** be anchored to the floor.

Note: Moving spa with flexible hose connected may cause strain and cause leaks.



Step 1



Steps 2 & 3

1. Adjust the leveling feet until you have at least a ¼" gap between the frame and leveling foot.
2. Place the floor mounting brackets on to leveling feet diagonally from each other (2 brackets provided).
3. Mark spots to be drilled. (*noted by dot in image*) Bracket has ½" hole. If mounting to floor, use (2) 3/8" floor lag bolts with washer (not provided).

REMOVING AND REPLACING DRAIN KNOB

Check your state and local regulations for cleaning procedures. Links to your state boards can be found on our web site, at www.europeantouch.com. Refer to the Owner's Manual for "Clean Touch™ Pipe-Free® Spa - Cleaning and Disinfecting Procedures," for cleaning recommendations.



To remove the chrome drain handle, loosen the set screw in the slot on the drain handle and slip off chrome handle from chrome handle post.



Drain handle removed



Drain plunger removed

REMOVING AND REPLACING IMPELLER

Check your state and local regulations for cleaning procedures. Links to your state boards can be found on our web site, at www.europeantouch.com. Refer to the Owner's Manual "Clean Touch™ Pipe-Free® Spa - Cleaning and Disinfecting Procedures," for cleaning recommendations.



1. Remove the Clean Touch Assembly by turning it clockwise.



2. Remove Clean Touch inlet cover from housing by twisting counter-clockwise.



3. Remove the impeller by lifting from the basin.
4. Once the parts are clean, complete steps one through three in reverse order.

WIRED SOUND OPTION

1/8" (3.5mm) Phone Jack.

Plug in Headphones or Portable Speakers.

1/8" (3.5mm) Phone Plug Cable.

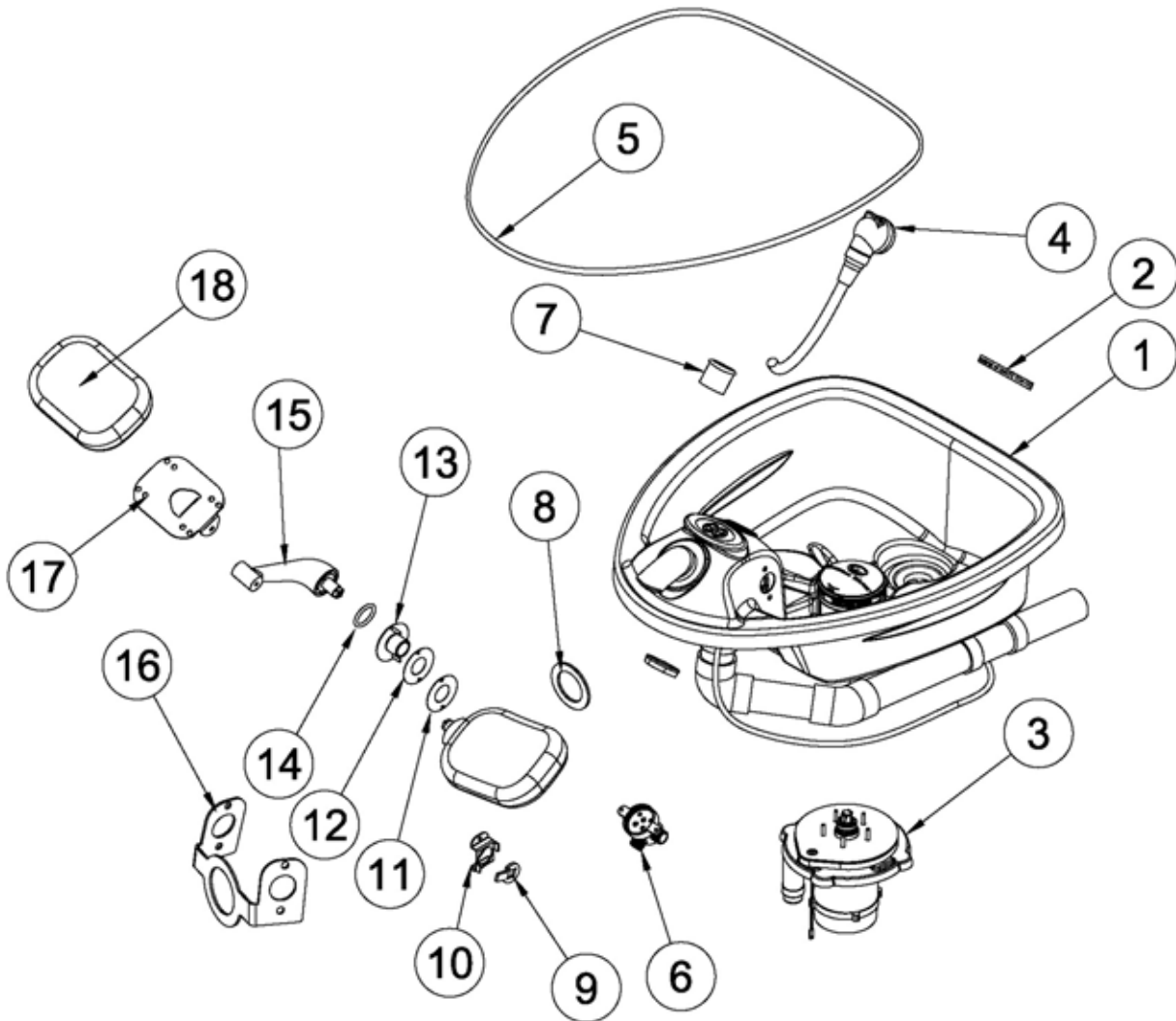
Plug into any MP3 Player or IPOD that has a 1/8" (3.5mm) Phone Jack.

Stowe away the end of the phone plug cable in the Massage Remote Pocket when not in use.



REPLACEMENT PARTS

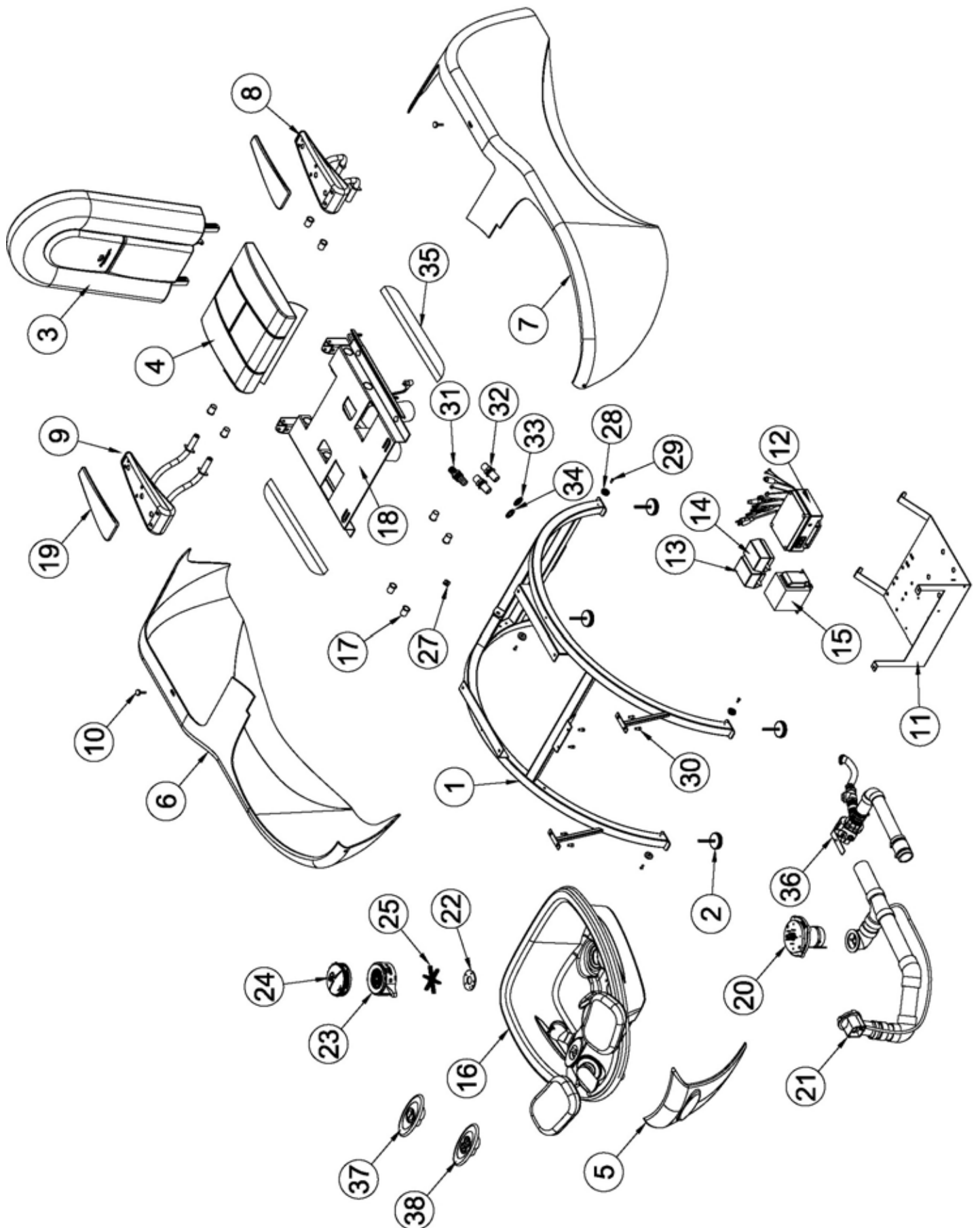
BASIN ASSEMBLY



No. Item	Part No.	Description	Qty
1	300102XX (00 - 10)	Basin Pipe Free <Color> CT	1
2	01030001	Decal - Do Not Stand In Basin	1
3	30152015	Subasm Hanning Motor CT	1
4	30150001	Subasm Shower Sprayer CT	1
5	15040012	Trim Lock Chrome Basin	1
6	30132000	Faucet Diverter	1
7	25022014	Escutcheon Sprayer Brass	1
8	15000006	Gasket Drain Assemble	1
9	25022005	Footrest Stop	2

No. Item	Part No.	Description	Qty
10	2502200X (2 - 3)	Bushing Support Plate <Side>	2
11	25002000	Gasket Bushing Plate.062 Neoprene	2
12	25022004	Bushing Plate W/Studs	2
13	25152016	Bushing Footrest	2
14	12000223	Teflon O-Ring Legrest Arm	2
15	25022000	Legrest Arm	2
16	25022001	Footrest Mount Plate	1
17	12020232	Plate Foot Pad Mount Assembly	2
18	15000014	Cushion Footrest	2

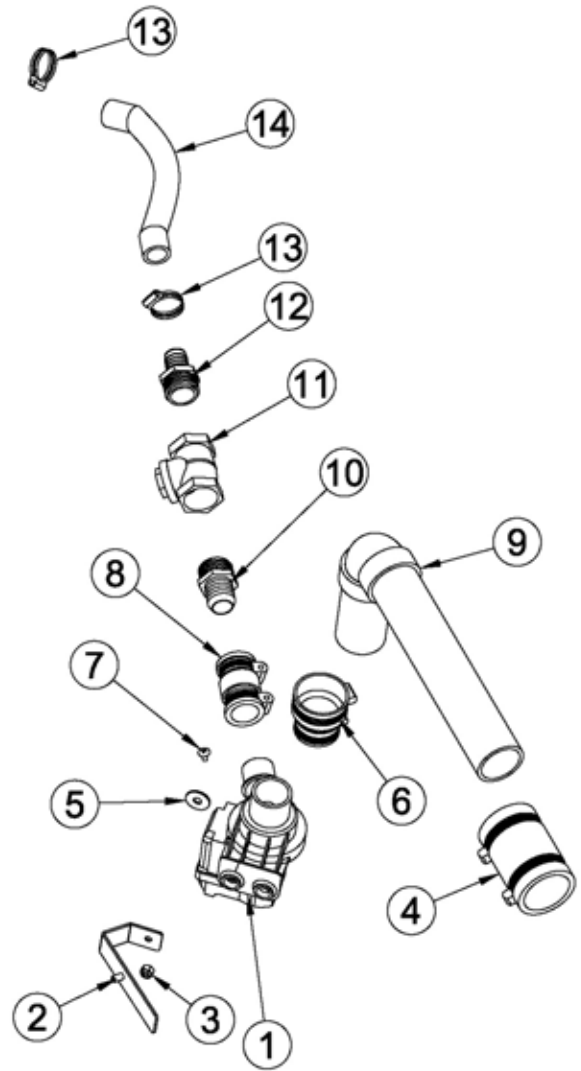
FULL ASSEMBLY



No Item	Part No	Description	Qty
1	30022100	A Frame Base Ng	1
2	15130007	Leveling Foot	4
3	3015030X (0-3,9)	Asm Cushion Seat Back Rest <Color>	1
4	3015031X (0-3, 9)	Asm Cushion Seat Bottom <Color>	1
5	2501230X (1, 3)	Plate Front <Color>	1
6	2501220X (0-3)	Panel Body Right <Color>	1
7	2501210X (0-3)	Panel Body Left <Color>	1
8	25152100	Subasm Armrest Left	1
9	25152101	Subasm Armrest Right	1
10	15130009	Screw Thumb 1/4-20 X 3/4	2
11	30020100	Belly Pan	1
12	15040001	Control Box Massage Jet PDP	1
13	15040013	Transformer Vibration Massage	1
14	15040003	Transformer Roller Massage	1
15	06040220	Transformer Step-Down 220/240v 50/60hz	1
16	3015200X (0-1)	Subasm Basin <Color> CT	1
17	15020017	Bearing Plain Armrest	8
18	25152013	Subassy Seat Track	1
19	2500201X (0-3, 9)	Cushion Armrest Magnetic <Color>	2
20	30152015	Subasm Hanning Motor CT	1
21	30151200	Drain Kit Assembly Hard Plumb	1
22	30010205	Plate Mounting CT	1
23	300102XX (01, 13)	Housing Inlet Asm <Color>	1
24	300102XX (07, 14)	Cover Inlet Housing <Color>	1
25	30010203	Impeller 1	1
27	25022009	Clip Actuator	2
28	15000000	Magnet Body Panel Mount	4
29	15130032	Screw 10-24 X 1/2in Philips Flat Head Ss 4	4
30	15130027	Screw 1/4-20 X 1/2 Socket Head Cap 6	6
31	25132013	Bulkhead Fitting 3/4in Thread 3/4in Barb	1
32	15130000	Bulkhead Ftg For Check Valve	2
33	06130087	Washer SCS 7/8 Nylon Red	1
34	06130088	Washer SCS 7/8 Nylon Blue	1
35	1500005X (0-3, 9)	Skirt Side Seat <Color> Cushion	1
36	30151201	Drain Kit Assembly Hard Plumb For PDP	1
37	30042001	Switch Membrane One Position On/Off CT	1
38	30042000	Switch Membrane On/Off Two Position CT	1

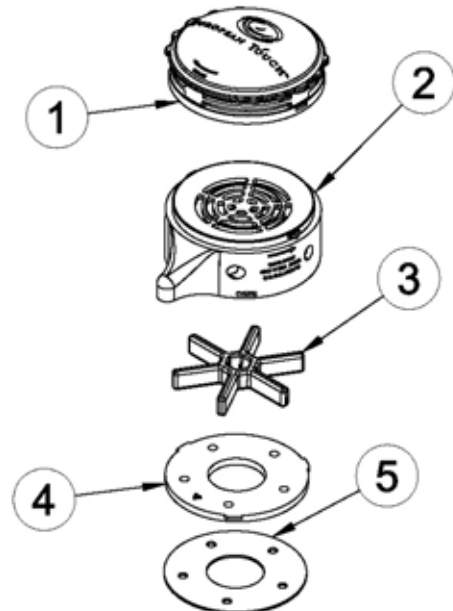
POWER DRAIN PUMP ASSEMBLY

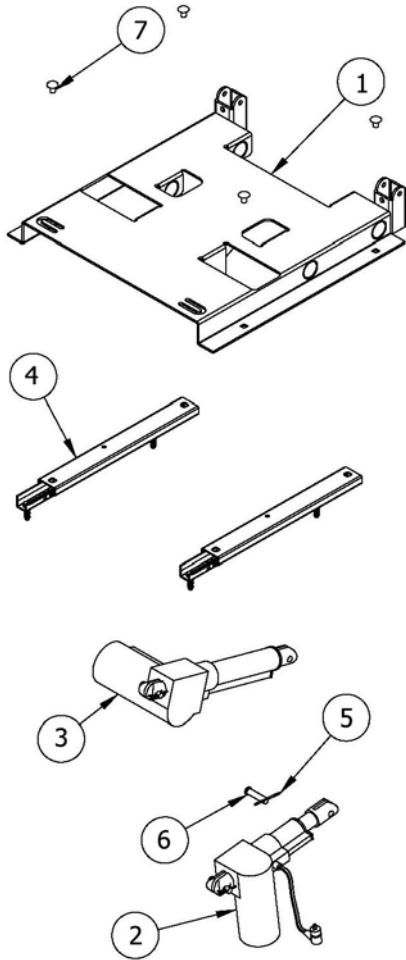
No. Item	Part No.	Description	Qty
1	08040005	Pump PDP 110v DPO 40	1
2	30020101	Bracket PDP CT	1
3	12130048	Nut 1/4-20 Nylon Cap Lock Ss	1
4	30010218	Coupler 1.5" To 1.5" With Clamps	1
5	25132005	Washer M8 8.4mm Id-24mm Od-1.8mm Thk SS	1
6	12010235	Connector Flexible Drain 1.5in X 1.25in	1
7	12130003	Screw 10-32 X 1/2 Ph Phillips Drive Ss	1
8	14010113	Coupler 3/4 In	1
9	30010217	Drain Waste Extension For PDP	1
10	25132008	Adapter 1 In Tube To 1 In Pipe	1
11	25132006	Check Valve 1 In FNPT X 1 In FNPT	1
12	25132007	Adapter 3/4 In Tube To 1 In Pipe	1
13	12130091	#10 Hose Clamp	2
14	12010177	3/4 White Flexible PVC Hose	1



INLET COVER & RELATED PARTS

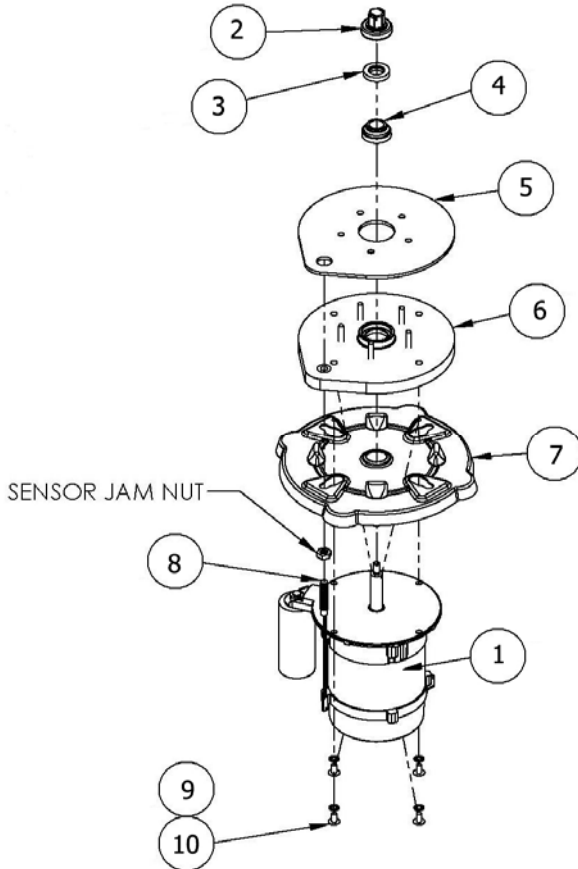
No. Item	Part No.	Description	Qty
1	30010207 (07, 14)	Cover Inlet Housing <Color>	1
2	300102XX (01, 13)	Housing Inlet Asm <Color>	1
3	30010203	Impeller CT	1
4	30010205	Plate Mounting CT	1
5	30010208	Gasket Inlet Housing CT	1





SEAT MOVEMENT

NO. ITEM	PART NO.	DESCRIPTION	QTY
1	25022007	Seat Track	1
2	15040405	Linear Drive 50mm Back	1
3	15040405	Linear Drive 50mm Back	1
4	03130031	Seat Rail Without Latch	2
5	06130009	Hitch Pin	3
6	06130008	Clevis Pin 1-1/2in X 3/8in Dia	3
7	03130043	Bolt Carr 5/16 X 1/2	4



MOTOR SUBASSEMBLY

NO. ITEM	PART NO.	DESCRIPTION	QTY
1	30040200	Hanning Motor	1
2	30010202	Shaft Impeller	1
3	14000000	Seal Top Pipe Free	1
4	14000001	Seal Bottom Pipe Free	1
5	30010209	Gasket Motor Face Plate	1
6	30010206	Faceplate Mounting	1
7	14040265	Shield Drip CT	1
8	12130002	Footplate Detection Sensor SCS	2
9	12130003	Washer #10 Star	4
10	30010204	Screw 10-32 X 1/2 Ph Phillips Drive	4

GENERAL TROUBLE SHOOTING GUIDE

Problem	Description	Resolution	Reference
No Water Movement	On/Off Button Not Blinking	1) Verify unit is plugged in to live wall outlet.	(1)
	Impeller not in place	2) Verify motor is plugged in to gray control box.	(2)
		3) Verify fuse in the gray control box is in tact.	(3)
	On/Off Blinking Power Button	4) Verify the wires to the button are not cut.	(4)
Chair Functions are not working		5) Remove clean touch assembly and verify the impeller is in place.	(4)
	1. Seat Back a. Roller Massage does not move up and down. b. Seat Back –Vibration feature not working.	6) Ensure that the clean touch assembly is properly attached to the basin.	(5)
	2. Seat Cushion – Heat portion of the seat not working.	7) Ensure that the black sensor underneath the front of the basin is plugged in.	(6)
Water Not Draining		8) If the remote does not light up when pressed to operate seat functions, verify that remote is plugged in.	(8)
	Chair does not drain properly having only the standard drain, (No PDP).	9) If the remote lights up, but functions do not work, contact European Touch Customer Service.	(9)
	Chair does not drain properly having a PDP.	10) Make sure plunger is set tall enough to allow water to pass through.	(10)
		11) Check for plugged drain and clear if clog is found.	(11)
Water not working or pressure is low		12) If the LED light is On and the pump is heard, check for plugged drain and clear if clog is found.	(12)
	The water sprayer is not working or very little water comes out of the sprayer head	13) If the LED light is On and the pump is NOT heard, verify drain pump is properly connected to the black control box.	(13)
		14) Verify water supply is On.	(14)
Basin Losing Water		15) Check for loose water connections under the basin and at the rear of the chair.	(15)
	The basin continually loses water either quickly or over long period of time	16) Unscrew the sprayer head from its hose and verify screen is clear.	(16)
		17) Check drain plunger for tears in rubber gasket.	(17)
		18) Verify drain plunger height is correct and bolt below plunger is tight.	(18)
		19) Verify drain strainer is tight.	(19)

CONTACT EUROPEAN TOUCH TECHNICAL SUPPORT AT 1-800-626-6912 WITH ANY ISSUES THAT CANNOT BE RESOLVED USING THIS TROUBLESHOOTING GUIDE.



HISTORY & NOTES



EUROPEAN TOUCH™

**EUROPEAN TOUCH
8301 W. Parkland Court
Milwaukee, WI 53223**

**Phone Number: 414-357-7016
Toll Free: 800-626-6912
Fax: 414-357-6360**

**Web Site: www.europeantouch.com
Email: info@europeantouch.com**